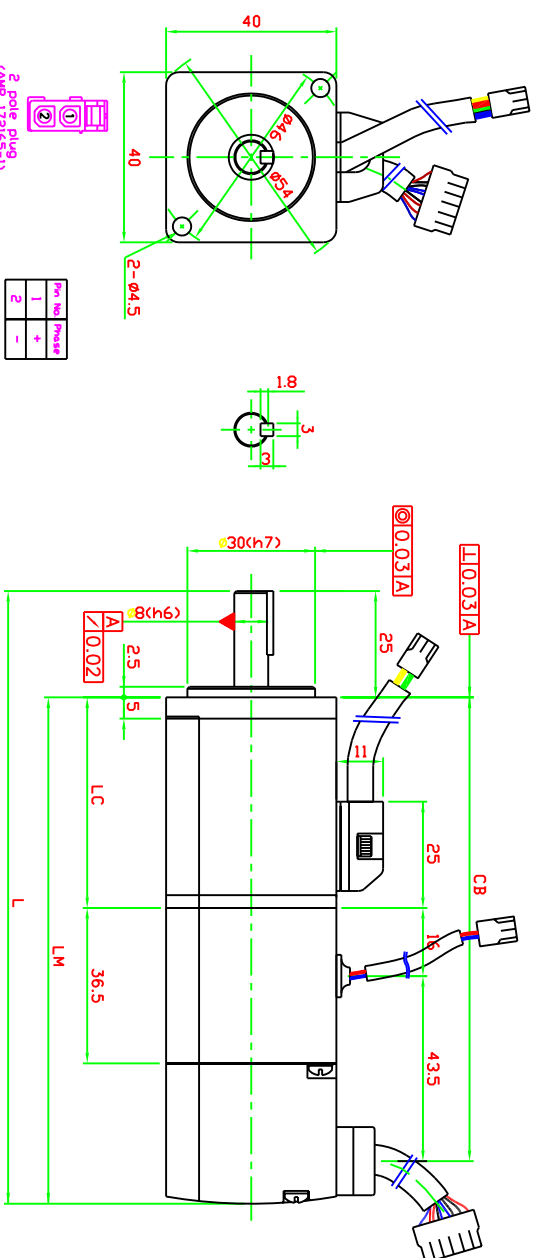


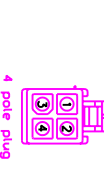
000	QTY	ITEM	DESCRIPTION	MATERIAL	SPECIFICATION	REMARK
		AP04	SERVVO MOTOR			



2 pole plug  
(AMP 172165-1)

Pin No	Phase
1	+
2	-

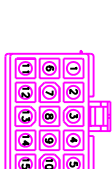
(Break Connector Pins)



4 pole plug  
(AMP 172167-1)

Pin No	Color	Phase
1	Red	U
2	White	V
3	Black	W
4	Green/Orange	-

(Power Supply Connector Pins)

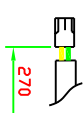


15 pole Plug  
(AMP 172171-1)

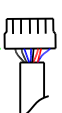
Pin No	Phase	Pin No	Phase
1	U	9	Y
2	V	10	W
3	W	11	NC
4	NC	12	5V
5	5V	13	NC
6	NC	14	5V
7	5V	15	NC
8	NC	15	NC

(Encoder Connector Pins)

Model	External Dimensions (mm)				Weight(kg)
	L	LM	LC	CB	
SAR3ACN	137.5	112.5	42.5	102.5	0.65
SAR5ACN	144.5	119.5	49.5	109.5	0.75
SA01ACN	161.5	136.5	66.5	126.5	0.97



Power Cable Length: 270mm  
Power Cable Diameter: ø7mm



Encoder Cable Length: 280mm  
Encoder Cable Diameter: ø7mm



Brake Cable Length: 270mm  
Brake Cable Diameter: ø5mm

+87 ±	(K-5)
TOLERANCE	
PROCESSING	IT12

**metronix**

PRODUCT NAME: AP04 Servo Motor  
 TITLE: Out Line(Bake Type)  
 Dwg. NO: SM04GA002  
 FILE: SM04GA002

1. 2. 3. 4. 5. 6. 7. 8. 9. 10. 11. 12. 13. 14. 15. 16. 17. 18. 19. 20. 21. 22. 23. 24. 25. 26. 27. 28. 29. 30. 31. 32. 33. 34. 35. 36. 37. 38. 39. 40. 41. 42. 43. 44. 45. 46. 47. 48. 49. 50.

CHANGE

⚠ ⚠ ⚠ ⚠ ⚠